

REVISIONS				
REV	DESCRIPTION OF REVISION	ECN No.	DATE	APPROVED
A	INITIAL RELEASE	—	15/03/12	M. Dong

TECHNICAL DATA

Electrical

RF Connector Impedance	50 Ω
Frequency range	26.5 to 40 GHz
VSWR	1.25 Max.

Mechanical & Environmental

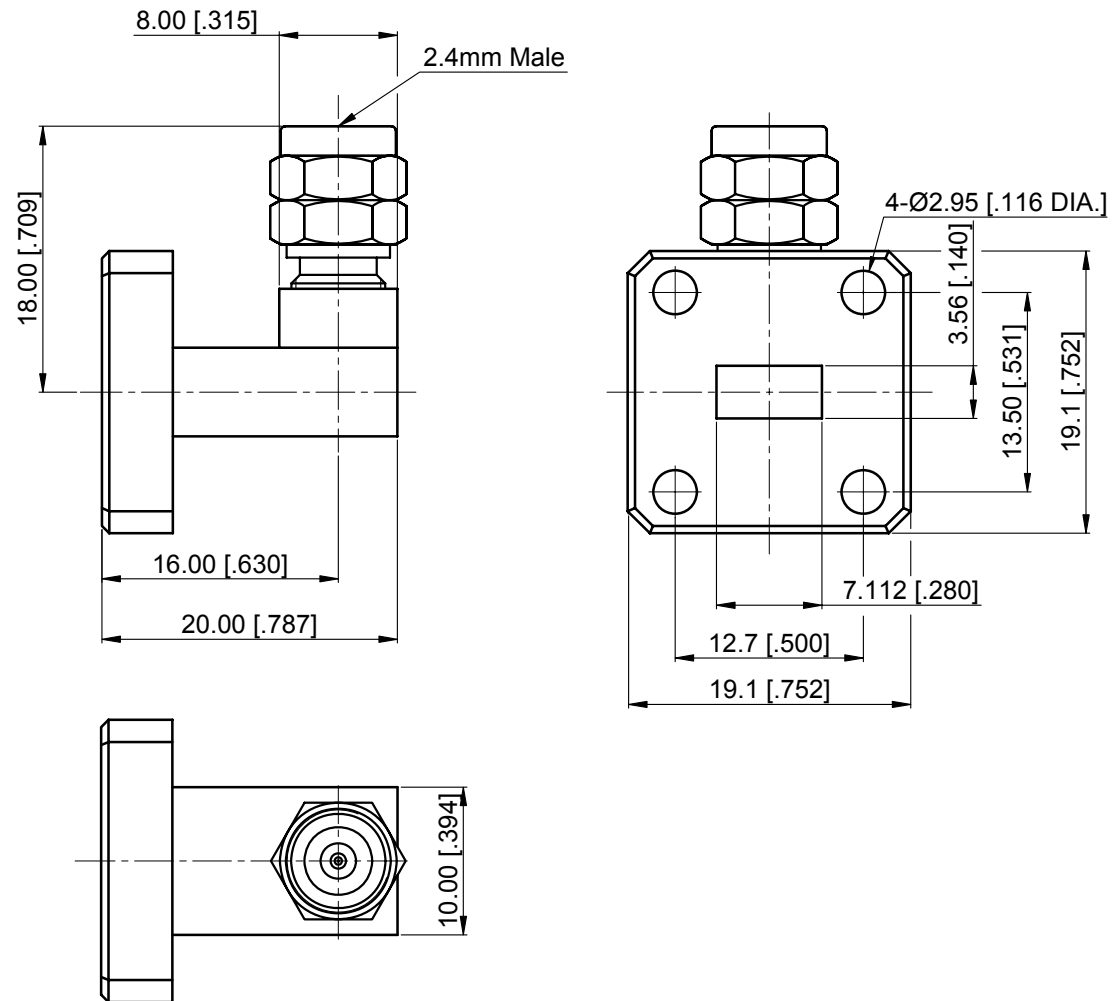
Waveguide Interface	WR-28
RF Connector Interface	2.4mm Female
Durability (matings)	>500
Temperature range	-55 °C ~ +125 °C
RoHS Compliant	Yes

Material & Finish

Waveguide Body	Brass, Gold-plated
RF Connector Body	Stainless Steel (SU303), Passivated

Interface Standards

2.4mm	IEEE STD 287-2007
-------	-------------------



NOTES:

- ALL SPECIFICATIONS ARE SUBJECT TO CHANGE WITHOUT NOTICE AT ANY TIME
- UNLESS OTHERWISE SPECIFIED ALL DIMENSIONS ARE NOMINAL.

DRAWN:	W. Shen	15/03/12
CHECKED:	K. Liu	15/03/12
APPROVED:	M. Dong	15/03/12
UNLESS OTHERWISE SPECIFIED, DIMENSIONS ARE IN MILLIMETERS (INCHES). UNLESS OTHERWISE SPECIFIED DIMENSIONAL TOLERANCES ARE:		
.XX	±0.13 [005"]	
.X	±0.20 [008"]	
X	±0.50 [019"]	
ANGULAR TOLERANCES ARE: ALL=±1°		

TITLE:

WR-28 With Square Cover Flange to 2.4mm Male Waveguide to Coax Adapter Operating From 26.5 GHz to 40 GHz

DO NOT SCALE DRAWING

PROJECTION:

CONNORV[®]
www.connorv.com

PART No.:

WCA-WR28-2.4M-004

SIZE: A4

SCALE: 4:1

SHEET: 1/1

REV: A