

REVISIONS				
REV	DESCRIPTION OF REVISION	ECN No.	DATE	APPROVED
A	INITIAL RELEASE	—	12/10/12	M. Dong

TECHNICAL DATA

Electrical

Impedance	50 Ω
Frequency range	0~18 GHz
VSWR	1.15:1
Average Power	1W

Mechanical & Environmental

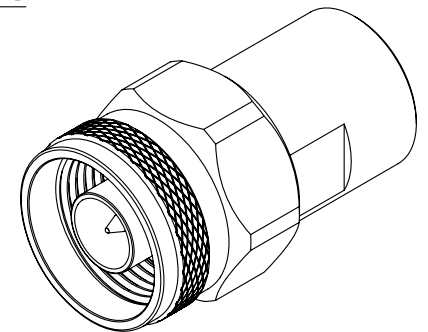
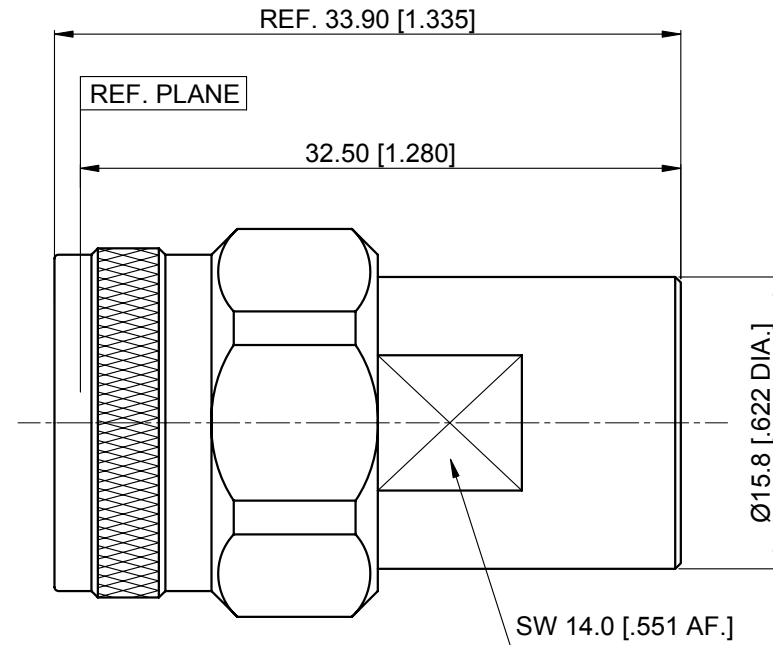
Durability (matings)	>500
Temperature range	-55 °C ~ +125 °C
RoHS Compliant	Yes

Material & Finish

Body	Stainless Steel (SU303), Passivated
Pin Contact	Beryllium Copper Alloy, Gold-plated

Interface Standards

N	MIL-STD-348A
---	--------------



NOTES:

- ALL SPECIFICATIONS ARE SUBJECT TO CHANGE WITHOUT NOTICE AT ANY TIME
- UNLESS OTHERWISE SPECIFIED ALL DIMENSIONS ARE NOMINAL.

DRAWN:	W. Shen	12/10/12
CHECKED:	K. Liu	12/10/12
APPROVED:	M. Dong	12/10/12
UNLESS OTHERWISE SPECIFIED, DIMENSIONS ARE IN MILLIMETERS [INCHES]. UNLESS OTHERWISE SPECIFIED DIMENSIONAL TOLERANCES ARE:		
.xx	±0.13 [0.005"]	
.x	±0.20 [0.008"]	
x	±0.50 [0.019"]	
ANGULAR TOLERANCES ARE: ALL=±1°		

TITLE:

Precision N Male
Termination, 1W, 18GHz

DO NOT SCALE
DRAWING

PROJECTION:

CONNOR[®]

www.connor.com

PART No.:

C201001

SIZE:
A4

SCALE:
2.5:1

SHEET:
1/1

REV:
A